

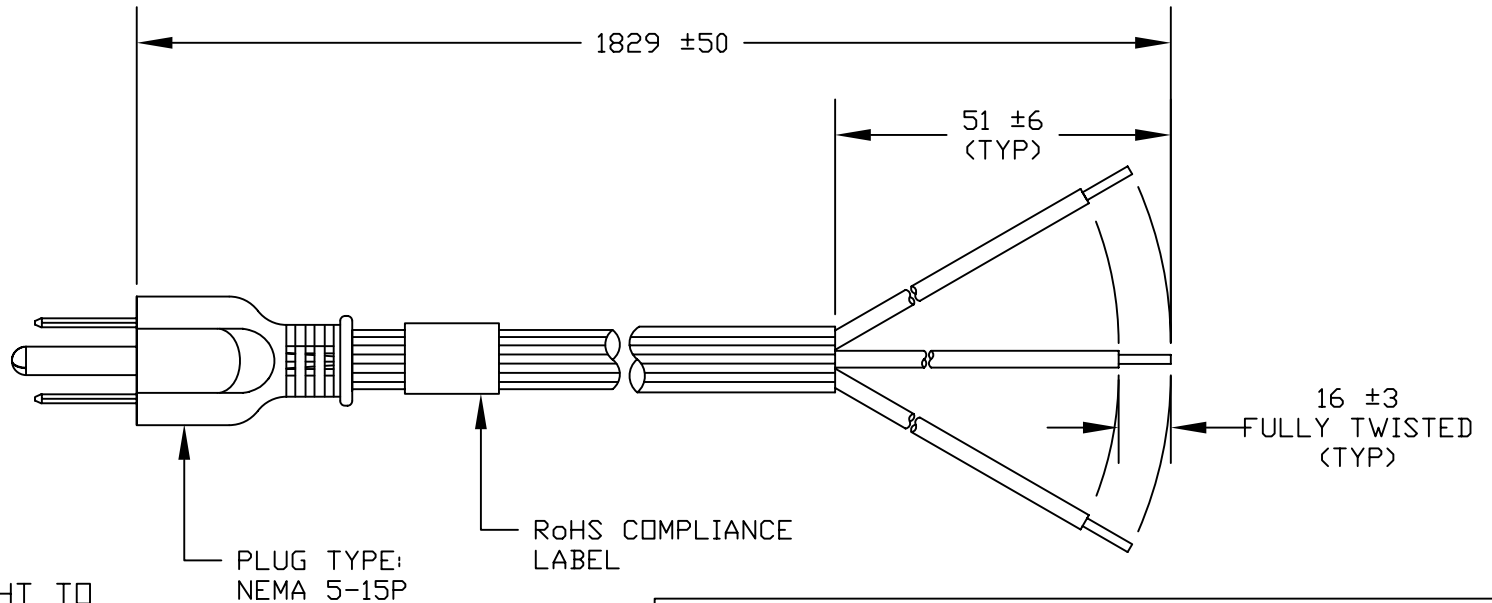
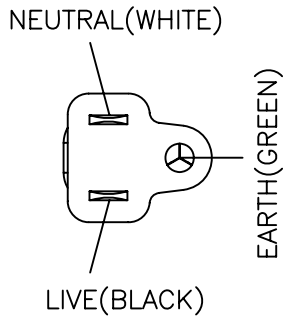


VOLEX

GROUP

Standard Cord Details: 17405 8 B1

Specifications	
Certifications	
Part Number	17405 8 B1
Connector Type	none
Plug Type	5-15P
Category	Plastic
Application	Non-Detachable
Plug Catalog No.	
Connector Catalog No.	
Cable	SJT AWG 18x3
Jacket Color	gray
Length in Feet	6'
Length in Meters	1.83
Temperature Rating	60
Packaging Units Per Carton	B-50,S-25
Color Coding	North America
Nominal OD in Inches	0.315
Nominal OD in Millimeters	8
Notes	SEE 17407 FOR THE 8FT VERSION. See 17237 for SVT version. See 17406 for SJ (rubber) version.



VOLEX RESERVES THE RIGHT TO ALTER NON-CRITICAL DIMENSIONS WITHOUT NOTICE.

PACKAGING: BULK PUT-UP (NO FOLD & TIE OR COIL)

- NOTES:
- 1) CORDAGE: 18/3 SJT, 60°C, GRAY
 - 2) APPROVALS:
 - 3) RATING: 10 AMP/125 VOLTS
 - 4) FLAME RATING : FT2
 - 5) PACKAGING: 50 PIECES/CARTON
 - 6) ALL DIMENSIONS IN MILLIMETERS.

3	REVISED TO SHOW CHINA MANUFACTURED CORD	11/26/07
2	FORMAT UPDATE	08/20/04
1	C.U.D - NEW RELEASE	06/09/04
REV	DESCRIPTION	DATE



FORM IN71-07 REV.A

- Indianapolis, IN
- Conover, N.C.
- Freemont, CA
- Aguascalientes, MX
- Tijuana, Mexico
- Hermosillo, MX
- Clinton, AR
- Kanata, Canada

Proprietary Notice:

This document is the property of Volex Incorporated. The information contained herein is not to be disclosed to anyone without the express written consent of Volex Inc.

MATERIAL:
PLUG: PVC, GRAY
JACKET: PVC, GRAY

FINISH:
JACKET: SERRATED

SCALE:
NOT TO SCALE

ECD:
N/A

ITEM DESCRIPTION
CORDSET - NORTH AMERICAN
POWER SUPPLY CORD (6')

TOLERANCE UNLESS OTHERWISE SPECIFIED
.XXX ± .005
.XX ± .02
.X ± .03
FRACT. ± 1/32
ANGULAR ± 1/2°

APPROVED STC	DRAWN BY ARK	DATE: 06/09/04
-----------------	-----------------	-------------------

PART NO. 17405 8 B1